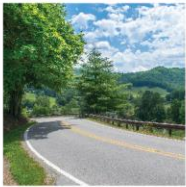




**NORTH CAROLINA**

Department of Transportation



# CAPA/NCDOT Asphalt Pavement Workshop

Brian Skeens, PE

Kipp Turner, PE



February 21-22, 2019

# Communication

IT'S NOT WHAT  
YOU SAY, IT'S HOW  
YOU SAY IT.

Proverb

PICTUREQUOTES.COM

“ People may  
**HEAR** your  
words, but they  
feel your attitude.”

John C. Maxwell

## Email, Text, Call, or Meet?

If we can't solve it via email, IM, texting, faxing, or phone calls, let's resort to meeting in person.

someecards





**IF YOU WANT A REPSONSE WITHIN...**

- **30 MINS OR LESS - CALL**
- **2 HOURS - TEXT**
- **1 DAY OR LATER - EMAIL**

COMMUNICATE EARLY  
& OFTEN

HOW MUCH NOTICE?

SPECIFICATION/PSP  
REQUIREMENTS?







- **GOOD**
- **BAD**
- **UGLY**



# MILLING

## Section 607

Mainline  
vs  
Incidental

# Mainline Milling

- Mainline
- Turn Lanes
- Shoulders
- Area around manholes, water valves, curb & gutter and other obstructions



# Incidental Milling

- Butt Joints
- Irregular areas
- Intersections milled as a separate operation
- Re-mill areas less than 100 feet

# Adjustments of Manholes, etc.

- Measurement & Payment

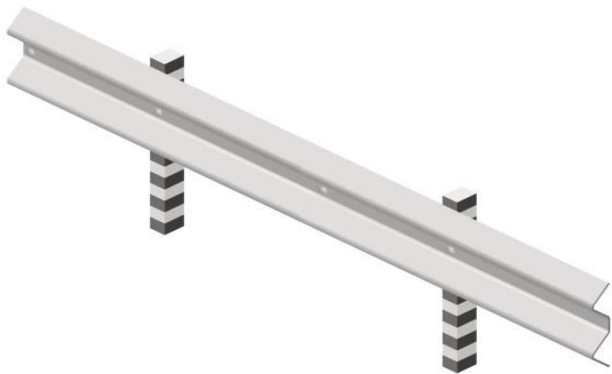


Adjusting Ring Installed

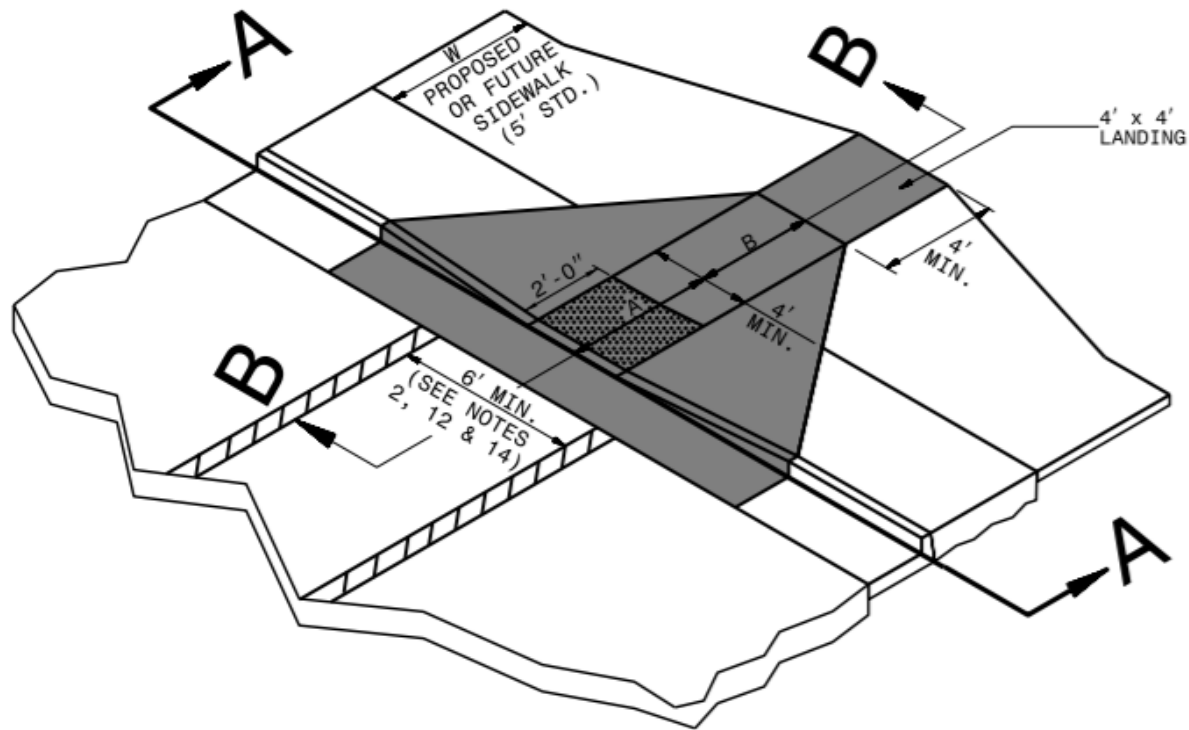




- Traffic Control
- Work Zone Signing
- Guardrail



- Concrete Curb Ramps



■ PAY LIMITS FOR CURB RAMP

# Response for Erosion Control

## RESPONSE FOR EROSION CONTROL:

### Description

Furnish the labor, materials, tools and equipment necessary to move personnel, equipment, and supplies to the project necessary for the pursuit of any or all of the following work as shown herein, by an approved subcontractor.

Section	Erosion Control Item	Unit
1605	Temporary Silt Fence	LF
1606	Special Sediment Control Fence	LF/TON
1615	Temporary Mulching	ACR
1620	Seed - Temporary Seeding	LB
1620	Fertilizer - Temporary Seeding	TN
1631	Matting for Erosion Control	SY
SP	Coir Fiber Mat	SY
1640	Coir Fiber Baffles	LF
SP	Permanent Soil Reinforcement Mat	SY
1660	Seeding and Mulching	ACR
1661	Seed - Repair Seeding	LB
1661	Fertilizer - Repair Seeding	TON
1662	Seed - Supplemental Seeding	LB
1665	Fertilizer Topdressing	TON
SP	Safety/Highly Visible Fencing	LF
SP	Response for Erosion Control	EA

### Construction Methods

Provide an approved subcontractor who performs an erosion control action as described in the NPDES Inspection Form SPPP30. Each erosion control action may include one or more of the above work items.

### Measurement and Payment

Response for Erosion Control will be measured and paid for by counting the actual number of times the subcontractor moves onto the project, including borrow and waste sites, and satisfactorily completes an erosion control action described in Form 1675. The provisions of Article 104-5 of the *Standard Specifications* will not apply to this item of work.

Payment will be made under:

Pay Item	Pay Unit
Response for Erosion Control	Each

Section	Erosion Control Item	Unit
1605	Temporary Silt Fence	LF
1606	Special Sediment Control Fence	LF/TON
1615	Temporary Mulching	ACR
1620	Seed - Temporary Seeding	LB
1620	Fertilizer - Temporary Seeding	TN
1631	Matting for Erosion Control	SY
SP	Coir Fiber Mat	SY
1640	Coir Fiber Baffles	LF
SP	Permanent Soil Reinforcement Mat	SY
1660	Seeding and Mulching	ACR
1661	Seed - Repair Seeding	LB
1661	Fertilizer - Repair Seeding	TON
1662	Seed - Supplemental Seeding	LB
1665	Fertilizer Topdressing	TON
SP	Safety/Highly Visible Fencing	LF
SP	Response for Erosion Control	EA

## Construction Methods

Provide an approved subcontractor who performs an erosion control action as described in the NPDES Inspection Form SPPP30. Each erosion control action may include one or more of the above work items.

## Measurement and Payment

**Response for Erosion Control** will be measured and paid for by counting the actual number of times the subcontractor moves onto the project, including borrow and waste sites, and satisfactorily completes an erosion control action described in Form 1675. The provisions of Article 104-5 of the *Standard Specifications* will not apply to this item of work.



# CONTRACT TIME

## 2019

**-JANUARY-**

S	M	T	W	T	F	S
		1	2	3	4	5
6	7	8	9	10	11	12
13	14	15	16	17	18	19
20	21	22	23	24	25	26
27	28	29	30	31		

**-FEBRUARY-**

S	M	T	W	T	F	S
					1	2
3	4	5	6	7	8	9
10	11	12	13	14	15	16
17	18	19	20	21	22	23
24	25	26	27	28		

**-MARCH-**

S	M	T	W	T	F	S
						1
2	3	4	5	6	7	8
9	10	11	12	13	14	15
16	17	18	19	20	21	22
23	24	25	26	27	28	29
30	31					

**-APRIL-**

S	M	T	W	T	F	S
						1
2	3	4	5	6		
7	8	9	10	11	12	13
14	15	16	17	18	19	20
21	22	23	24	25	26	27
28	29	30				

**-MAY-**

S	M	T	W	T	F	S
						1
2	3	4				
5	6	7	8	9	10	11
12	13	14	15	16	17	18
19	20	21	22	23	24	25
26	27	28	29	30	31	

**-JUNE-**

S	M	T	W	T	F	S
						1
2	3	4	5	6	7	8
9	10	11	12	13	14	15
16	17	18	19	20	21	22
23	24	25	26	27	28	29
30						

**-JULY-**

S	M	T	W	T	F	S
						1
2	3	4	5	6		
7	8	9	10	11	12	13
14	15	16	17	18	19	20
21	22	23	24	25	26	27
28	29	30	31			

**-AUGUST-**

S	M	T	W	T	F	S
						1
2	3					
4	5	6	7	8	9	10
11	12	13	14	15	16	17
18	19	20	21	22	23	24
25	26	27	28	29	30	31

**-SEPTEMBER-**

S	M	T	W	T	F	S
						1
2	3	4	5	6	7	
8	9	10	11	12	13	14
15	16	17	18	19	20	21
22	23	24	25	26	27	28
29	30					

**-OCTOBER-**

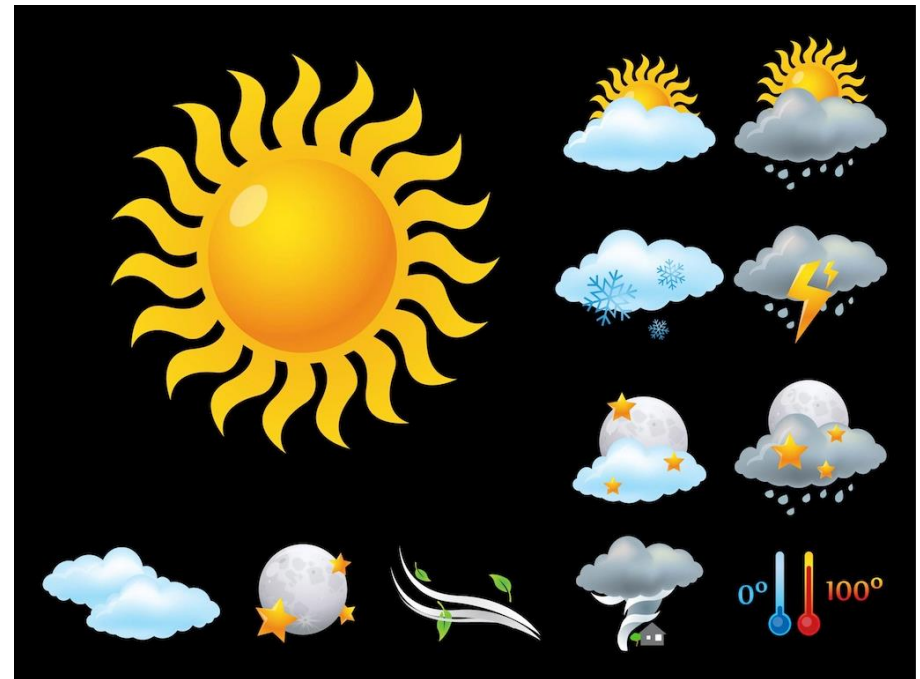
S	M	T	W	T	F	S
						1
		2	3	4	5	
6	7	8	9	10	11	12
13	14	15	16	17	18	19
20	21	22	23	24	25	26
27	28	29	30	31		

**-NOVEMBER-**

S	M	T	W	T	F	S
						1
					2	
3	4	5	6	7	8	9
10	11	12	13	14	15	16
17	18	19	20	21	22	23
24	25	26	27	28	29	30

**-DECEMBER-**

S	M	T	W	T	F	S
						1
		2	3	4	5	6
7	8	9	10	11	12	13
14	15	16	17	18	19	20
21	22	23	24	25	26	27
28	29	30	31			



# PAVING SEASON

- DAILY QUANTITIES
- MONTHLY ESTIMATES
- FINAL ESTIMATES
- MATERIALS CERTIFICATIONS
- CERTIFIED PAYROLLS (CHECK THE RATES)
- CLOSEOUT CONFERENCES

