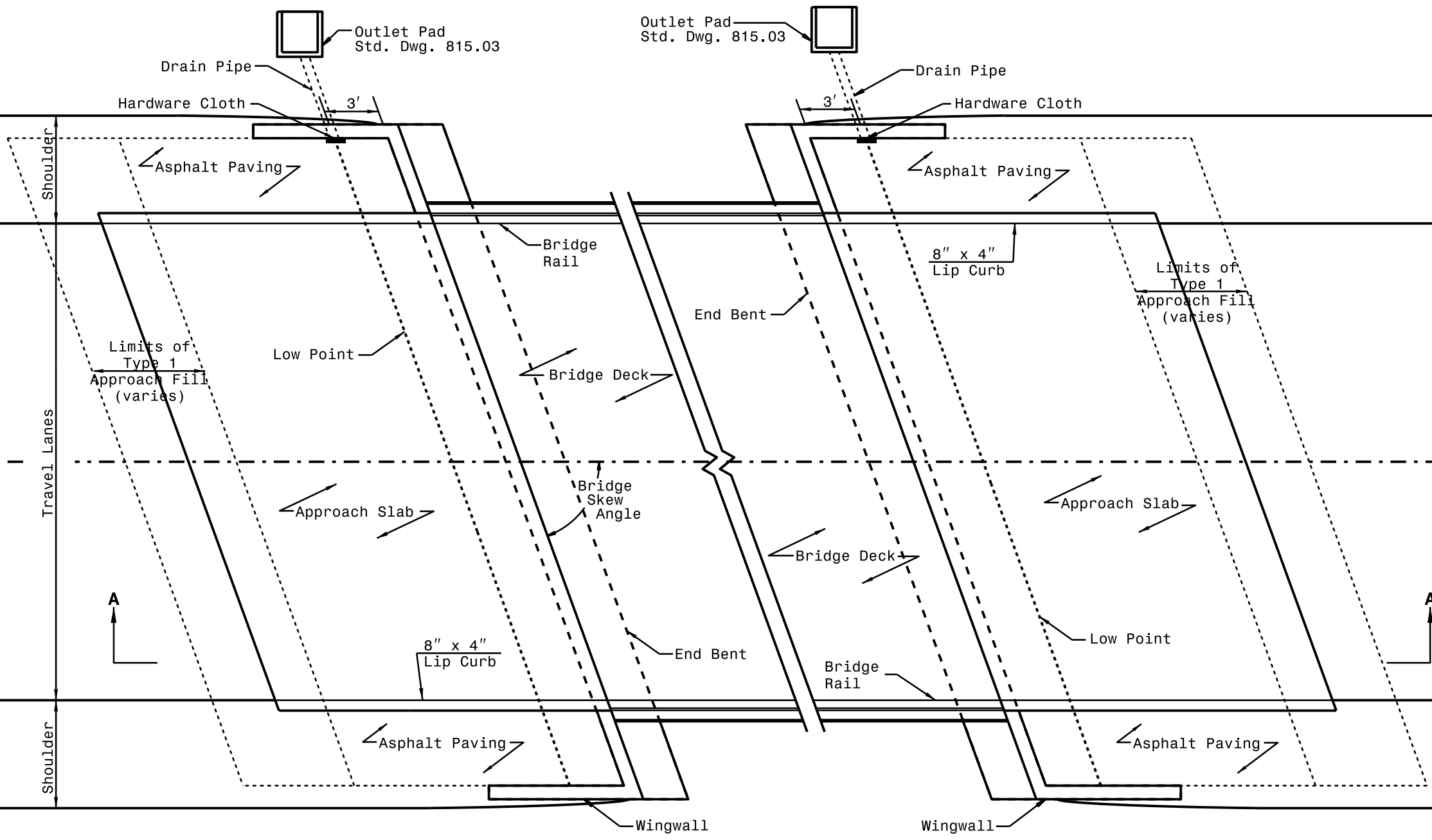


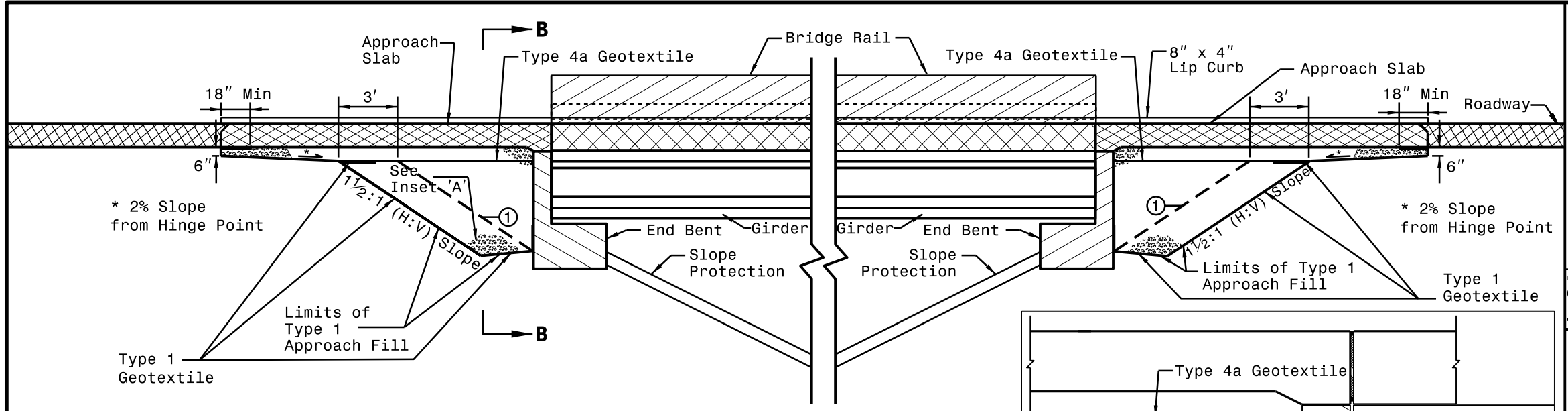
1-24

ROADWAY STANDARD DRAWING FOR
BRIDGE APPROACH FILLS
TYPE 1 APPROACH FILL
APPROACH FILL FOR
BRIDGE ABUTMENT



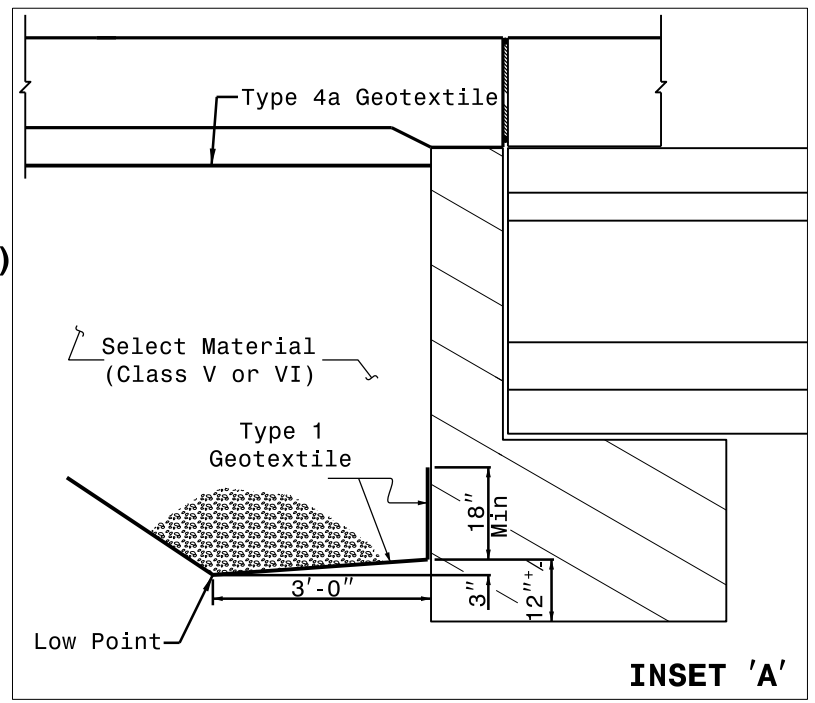
PLAN VIEW
APPROACH SLAB

1-24

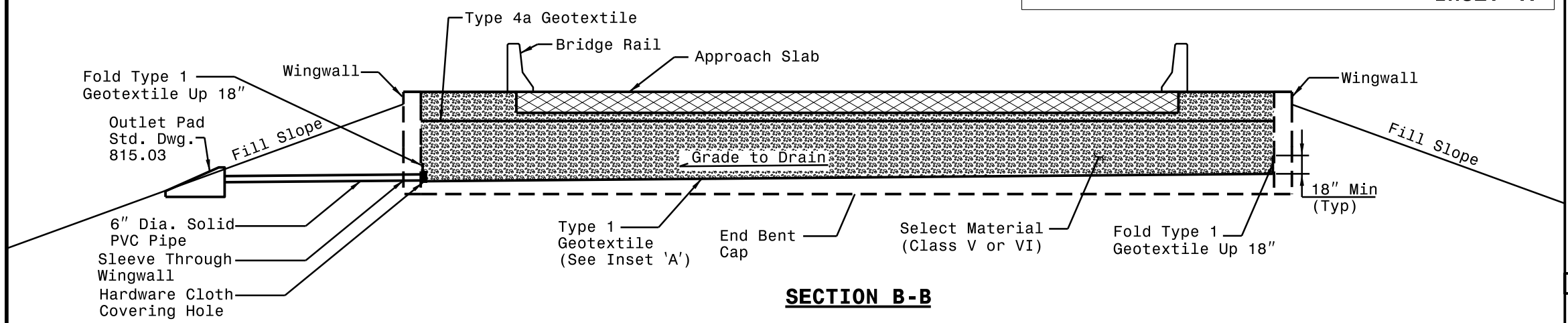


SECTION A-A
(Girder bridge shown, Cored Slabs and Box Beams similar)

① 1 1/2:1 Compacted Temporary Fill Slope
(Not necessary for cuts)



INSET 'A'

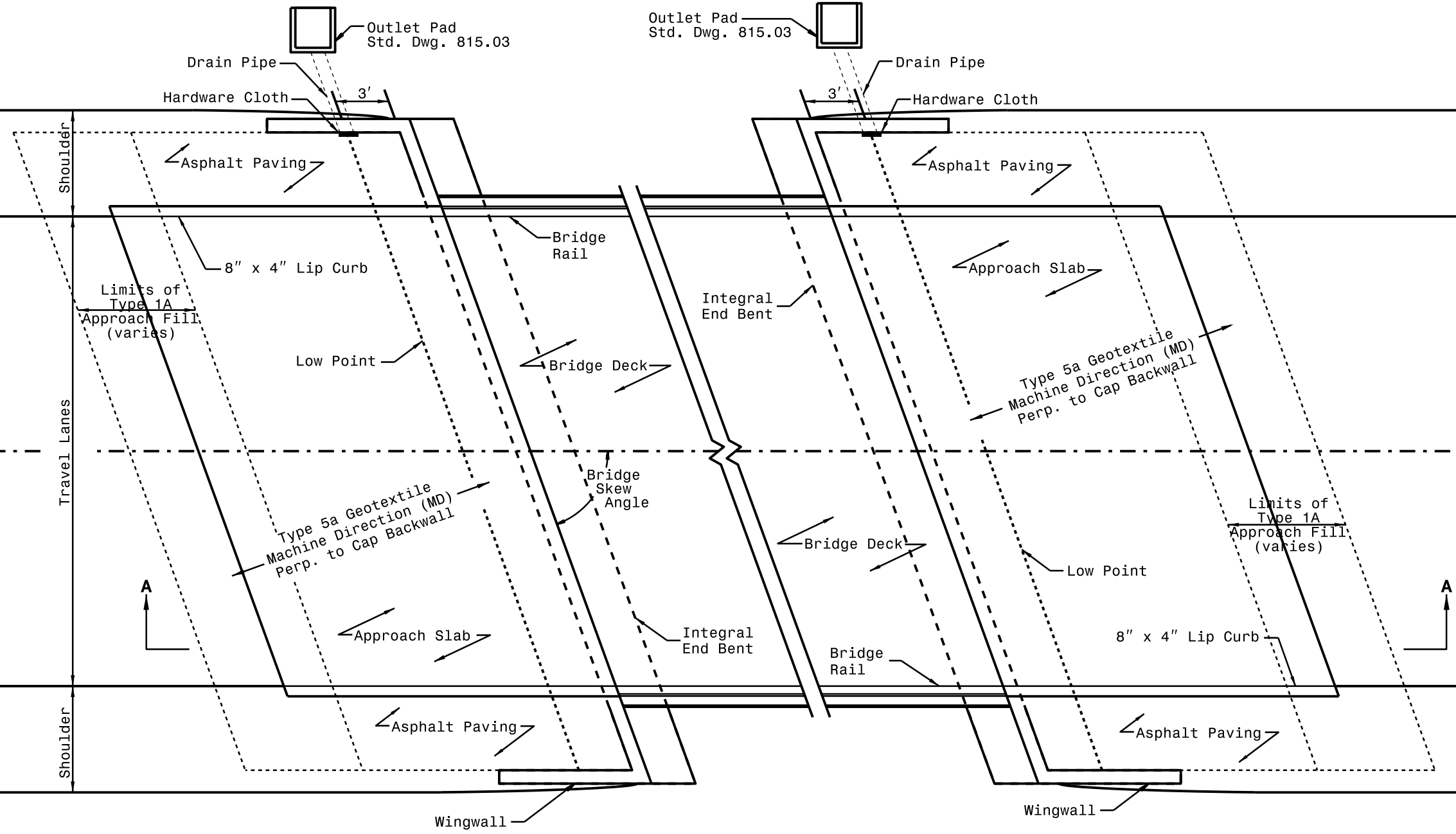


SECTION B-B

Fold Type 1 Geotextile Up 18"
Outlet Pad Std. Dwg. 815.03
6" Dia. Solid PVC Pipe
Sleeve Through Wingwall
Hardware Cloth Covering Hole

1-24

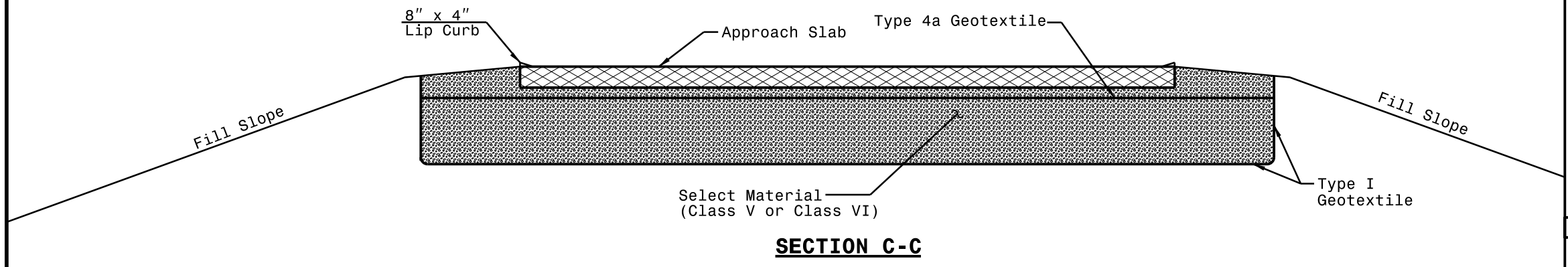
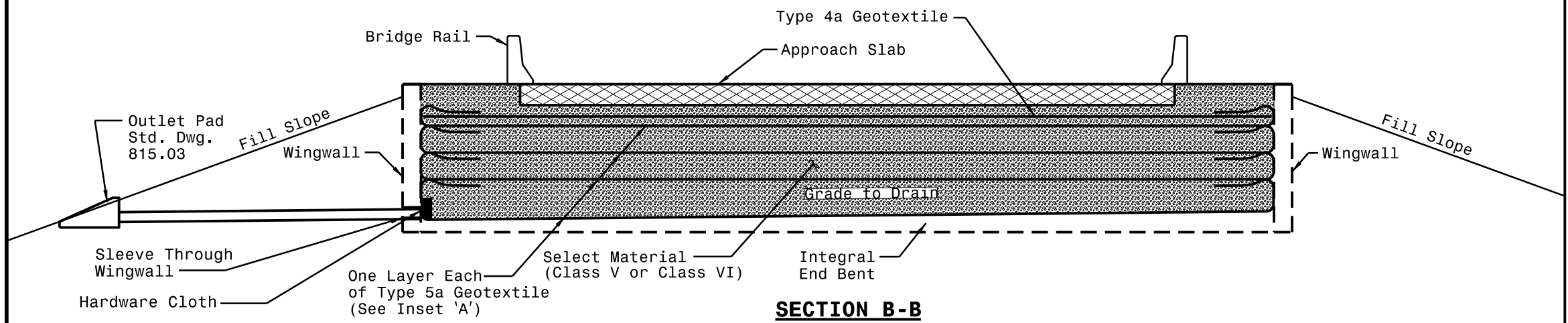
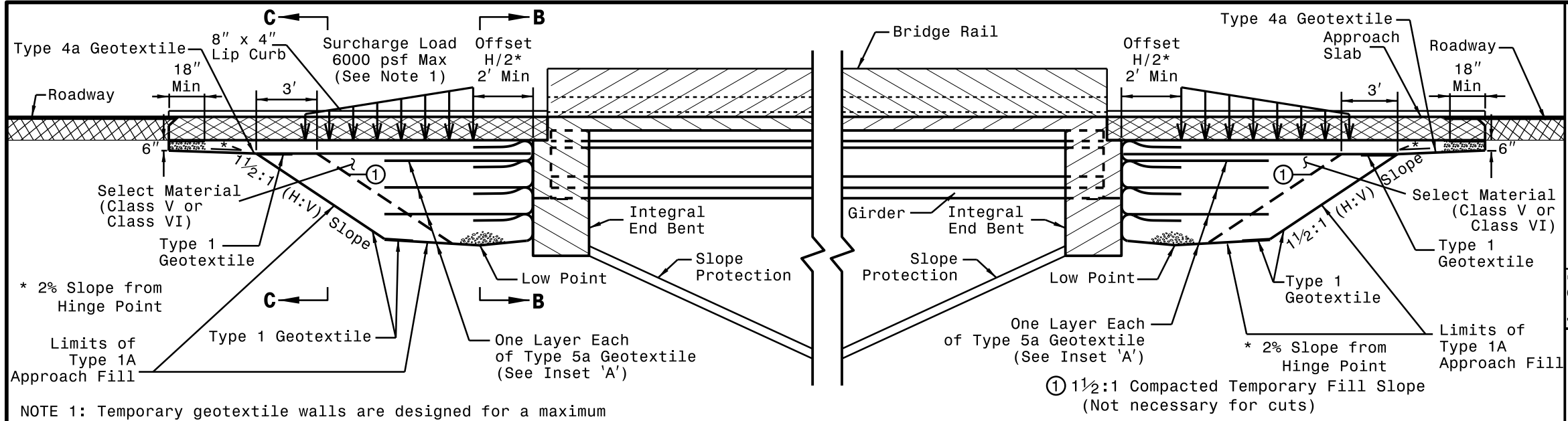
ROADWAY STANDARD DRAWING FOR
BRIDGE APPROACH FILLS
TYPE 1A APPROACH FILL
ALTERNATE APPROACH FILL FOR
INTEGRAL BRIDGE ABUTMENT



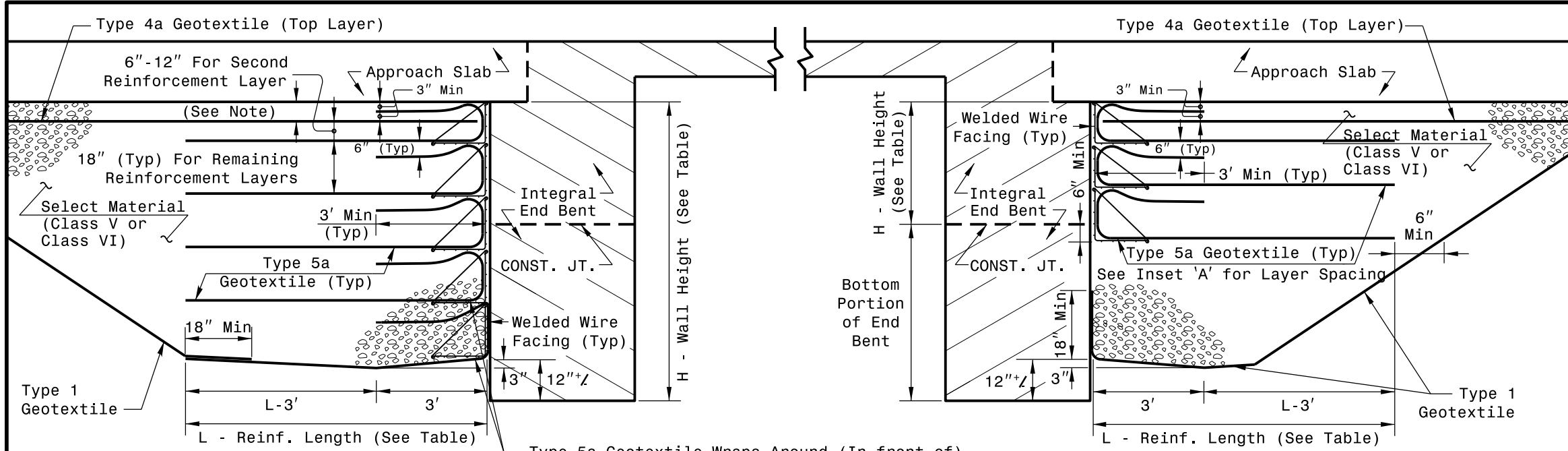
**PLAN VIEW
APPROACH SLAB**

1-24

ROADWAY STANDARD DRAWING FOR
BRIDGE APPROACH FILLS
 TYPE 1A APPROACH FILL
 ALTERNATE APPROACH FILL FOR
 INTEGRAL BRIDGE ABUTMENT



1-24



INSET 'A'

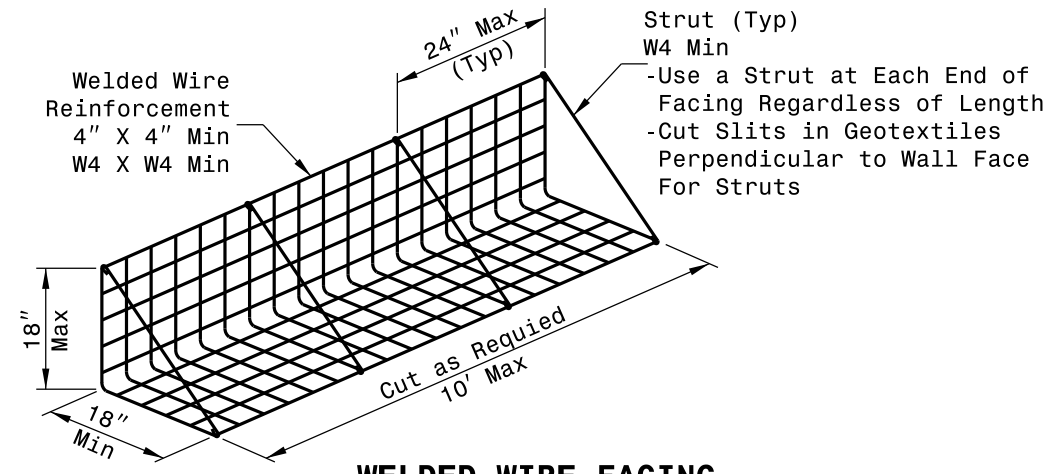
NOTE: Place top (first) reinforcement layer according to the detail shown on sheet 2 of 3 regardless of vertical spacing for underlying reinforcement layers. As shown in insets above, it is not necessary to wrap the top layer of geotextile reinforcement at the wall face.

ALTERNATE INSET 'A'

(Allowed When Bottom Portion of Integral End Bent is Constructed Before Temporary Wall and End Bent Piles are at Least 25' Long or Drilled In)

TEMPORARY GEOTEXTILE WALL DETAILS

TYPE 5A GEOTEXTILE REINFORCEMENT LENGTH	
WALL HEIGHT H (ft)	REINFORCEMENT LENGTH L (ft)
< 8	8
8 TO 12	= H



WELDED WIRE FACING

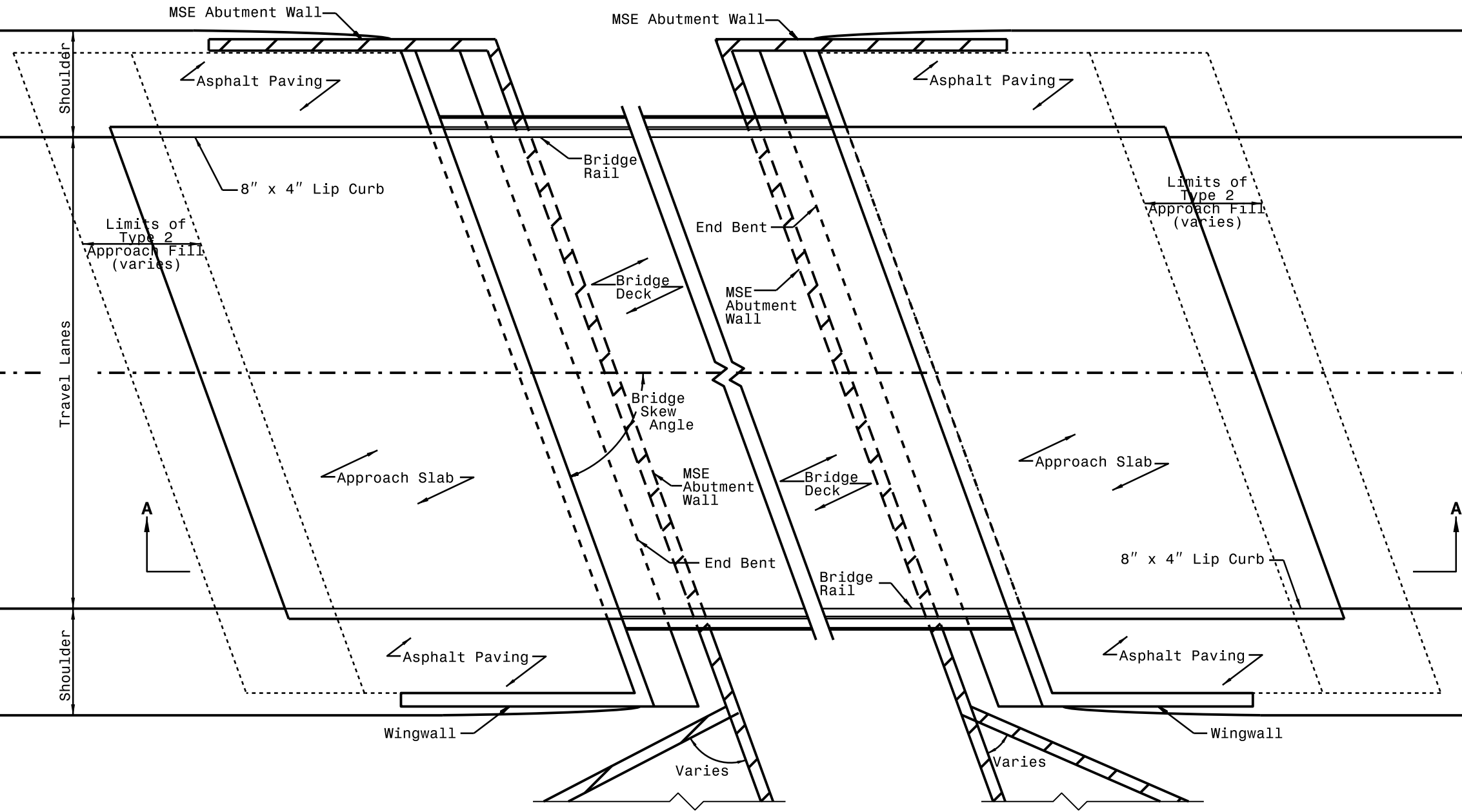
1-24

ROADWAY STANDARD DRAWING FOR

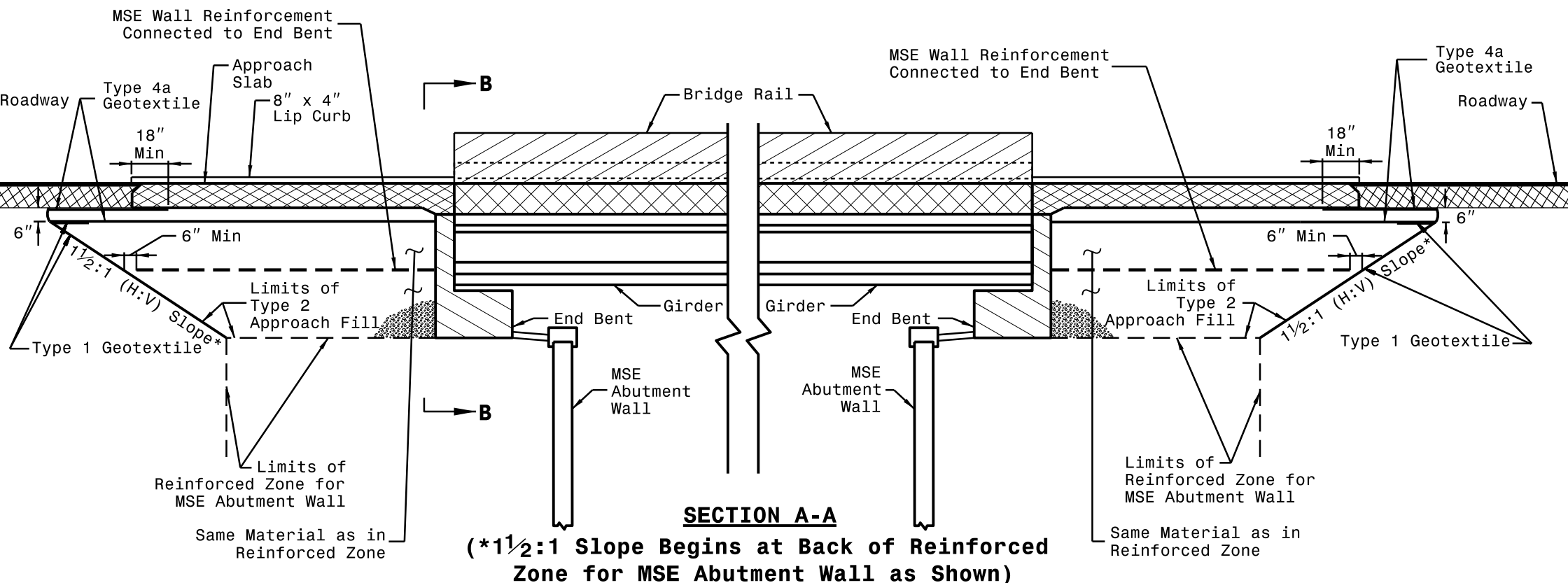
BRIDGE APPROACH FILLS

TYPE 2 APPROACH FILL

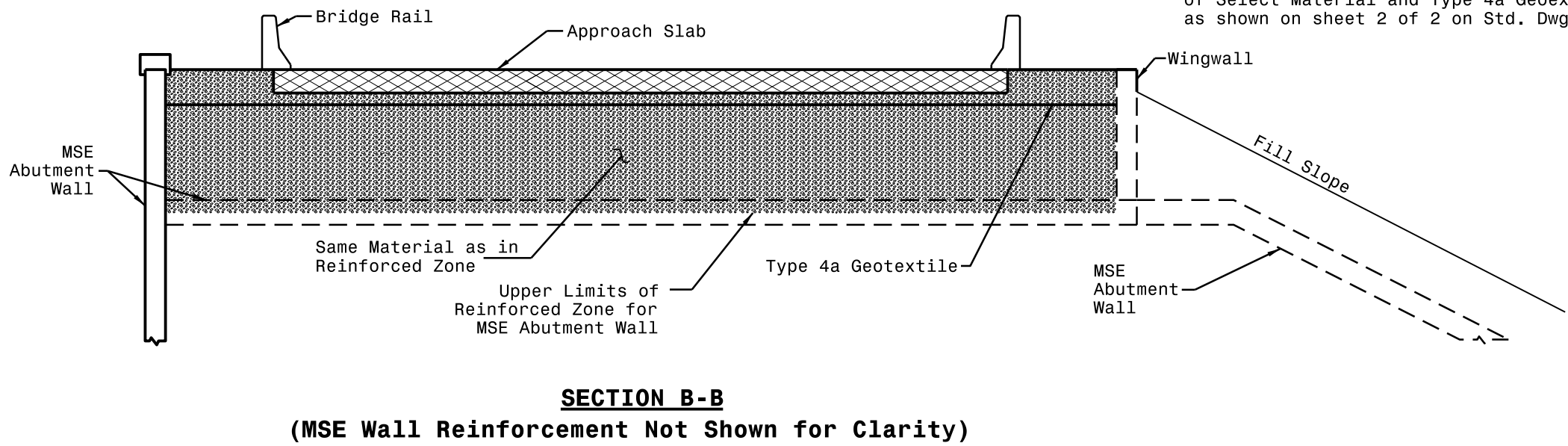
APPROACH FILL FOR
BRIDGE ABUTMENT WITH MSE WALL



**PLAN VIEW
APPROACH SLAB**

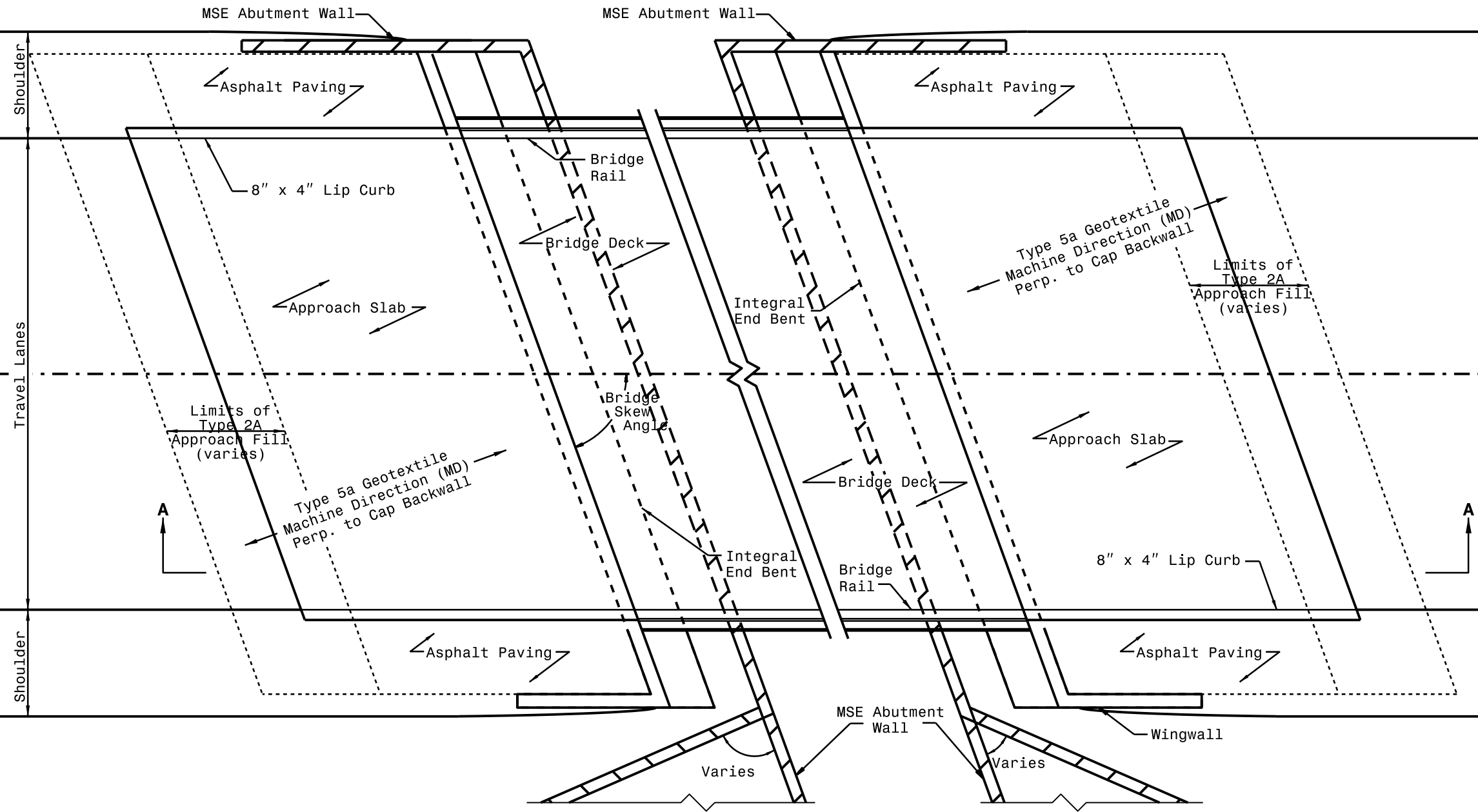


NOTE: If 1½:1 slope intersects subgrade under the approach slab, extend 6" layer of Select Material and Type 4a Geotextile as shown on sheet 2 of 2 on Std. Dwg. 423.01.

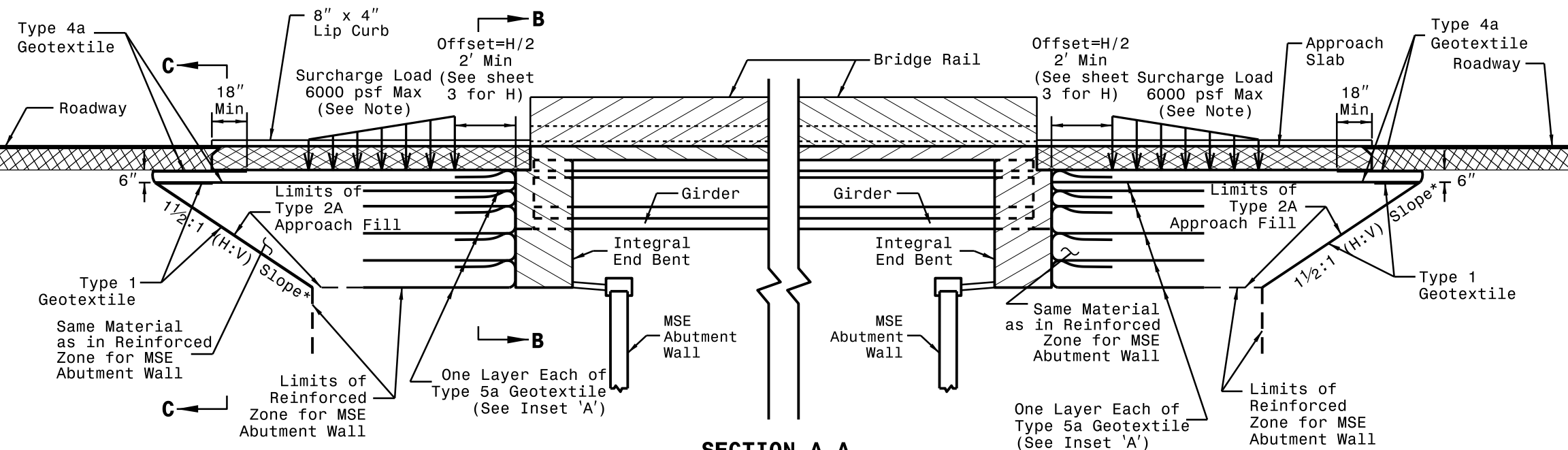


1-24

ROADWAY STANDARD DRAWING FOR
BRIDGE APPROACH FILLS
TYPE 2A APPROACH FILL
ALTERNATE APPROACH FILL FOR
INTEGRAL BRIDGE ABUTMENT WITH MSE WALL

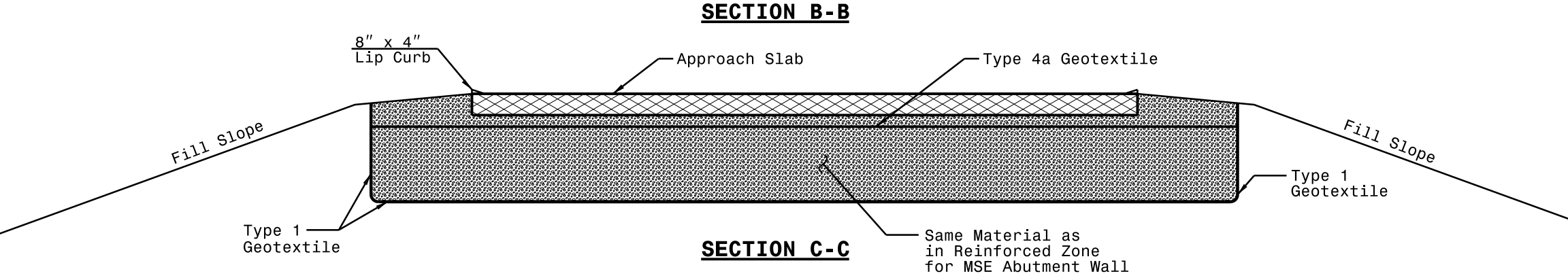
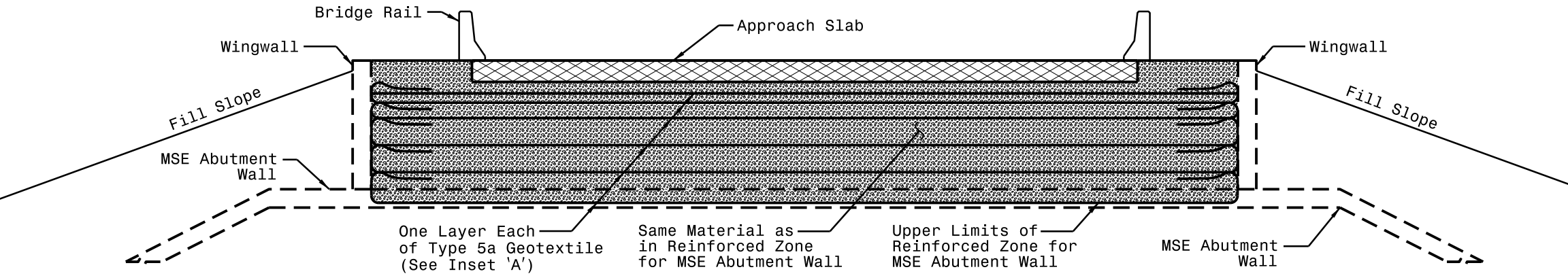


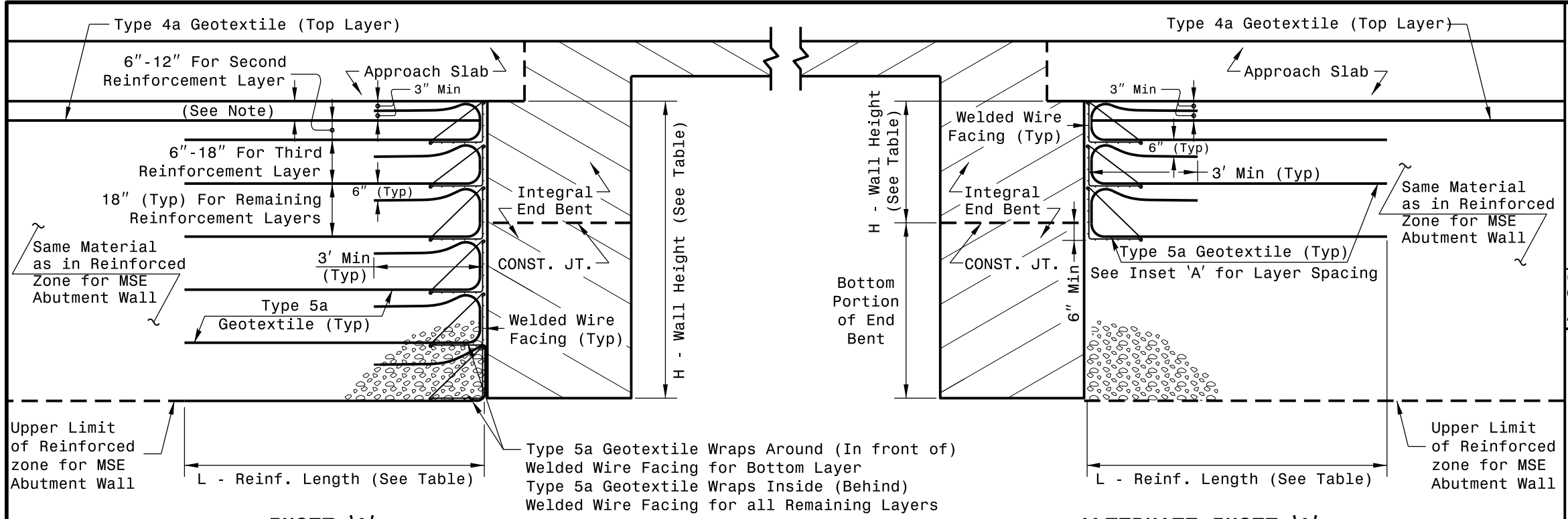
**PLAN VIEW
APPROACH SLAB**



NOTE: Temporary geotextile walls are designed for a maximum eccentric surcharge pressure of 6000 psf for the offset shown. Surcharge loads from construction equipment, e.g., cranes that exceed 6000 psf are the Contractor's responsibility.

NOTE: If 1½:1 slope intersects subgrade under the approach slab, extend 6" layer of Select Material and Type 4a Geotextile as shown on sheet 2 of 2 on Std. Dwg. 423.01.





INSET 'A'

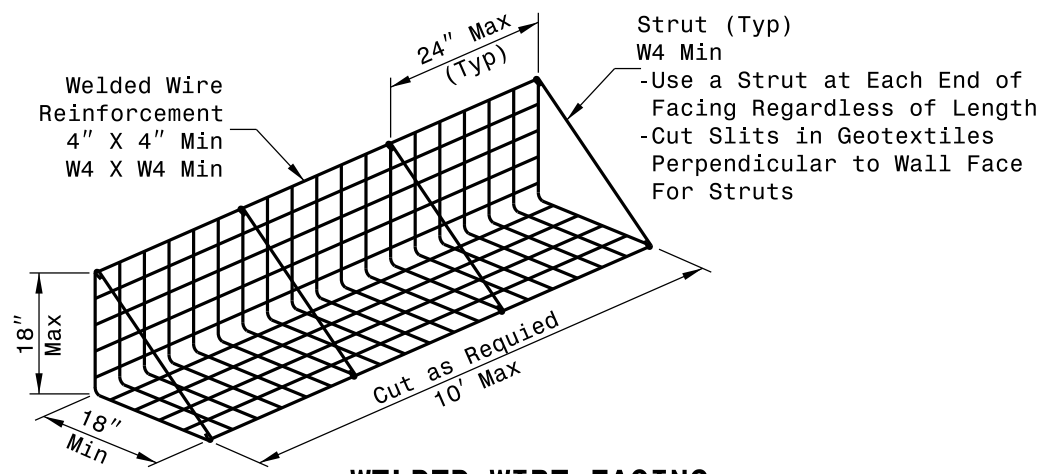
ALTERNATE INSET 'A'

NOTE: Place top (first) reinforcement layer according to the detail shown on sheet 2 of 3 regardless of vertical spacing for underlying reinforcement layers. As shown in insets above, it is not necessary to wrap the top layer of geotextile reinforcement at the wall face.

(Allowed When Bottom Portion of Integral End Bent is Constructed Before Temporary Wall and End Bent Piles are at Least 25' Long or Drilled In)

TEMPORARY GEOTEXTILE WALL DETAILS

TYPE 5A GEOTEXTILE REINFORCEMENT LENGTH	
WALL HEIGHT H (ft)	REINFORCEMENT LENGTH L (ft)
< 8	8
8 TO 12	= H



WELDED WIRE FACING